

# METRIC INSTALLATION OF MINIATURE THREADED AND STANDARD THREADED SERIES TRANSDUCERS

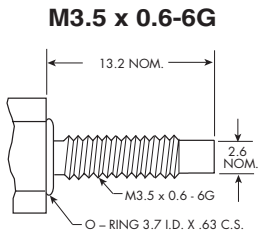


FIG. 1 (a)

For proper mounting of Figures 1(e), an ISO7320 port is required. The detail for this port is shown in Fig. 2 (e) and Fig. 2 (e) Detail. Mounting torque for the transducers is listed below.

**M3.5 x 0.6-6G**  
15 Inch Pounds (Max.)

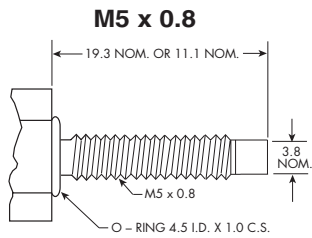


FIG. 1 (b)

**M5 x 0.8**  
15 Inch Pounds (Max.)

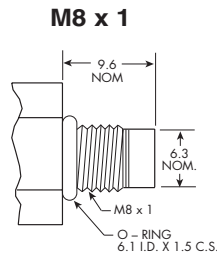


FIG. 1 (c)

**M8 x 1**  
75 Inch pounds (Max.)

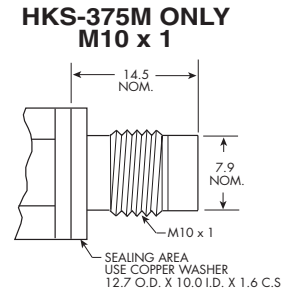


FIG. 1 (d)

**M10 x 1**  
80-120 Inch Pounds

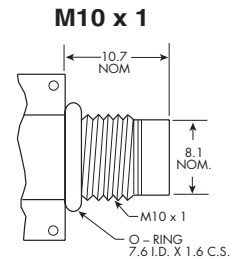


FIG. 1 (e)

**M10 x 1**  
80-120 Inch Pounds

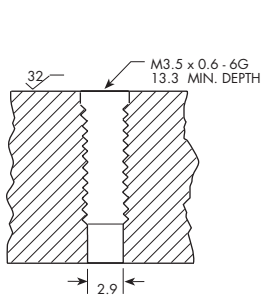


FIG. 2 (a)

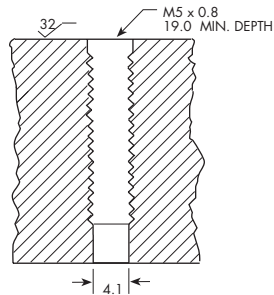


FIG. 2 (b)

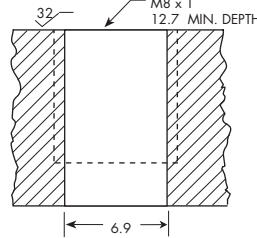


FIG. 2 (f)

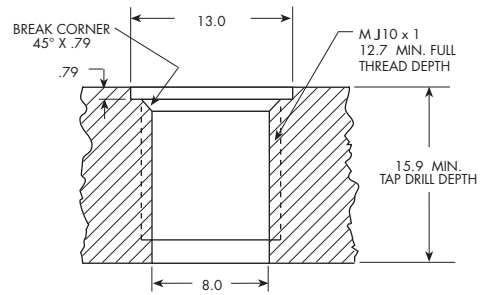


FIG. 2 (d)  
HKS-375M ONLY

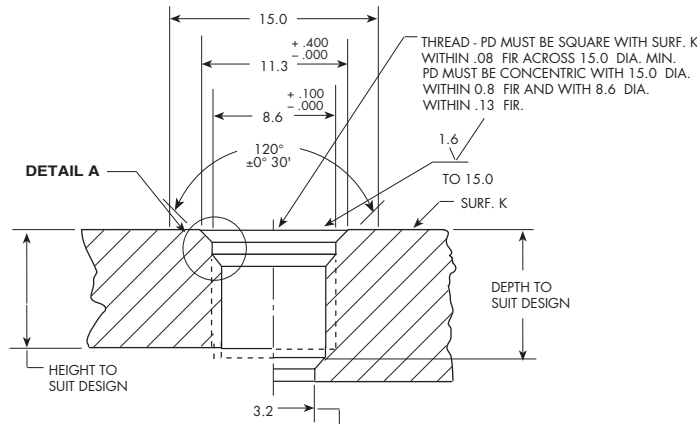


FIG. 2 (c)  
MJ8 x 1

MIN. DIA. FOR UNRESTRICTED FLOW OF FLUID MAY BE ANY SIZE OR SHAPE PROVIDED CLEARANCE IS MAINTAINED FOR FITTING

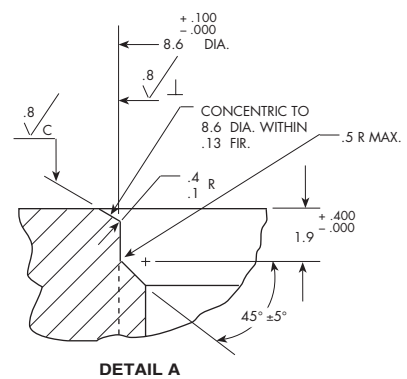


FIG. 2 (c) DETAIL

NOTE: MIN. FLAT BOSS FACE CLEARANCE PROVISIONS FOR FITTING, WRENCH, FITTING INSTALLATION AND TOOL FILLET RADII MUST BE ADDED AS REQUIRED

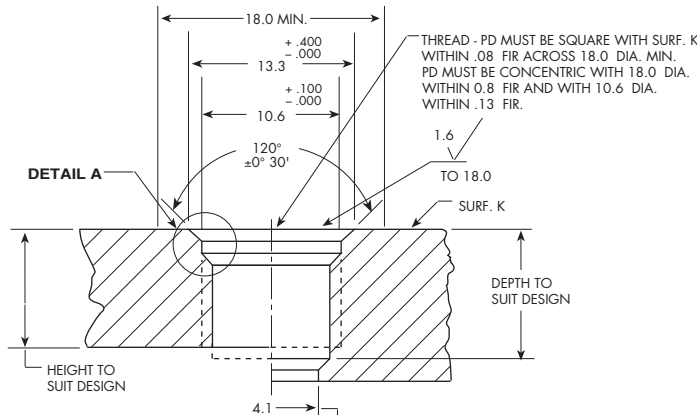


FIG. 2 (e)  
MJ10 x 1

MIN. DIA. FOR UNRESTRICTED FLOW OF FLUID MAY BE ANY SIZE OR SHAPE PROVIDED CLEARANCE IS MAINTAINED FOR FITTING

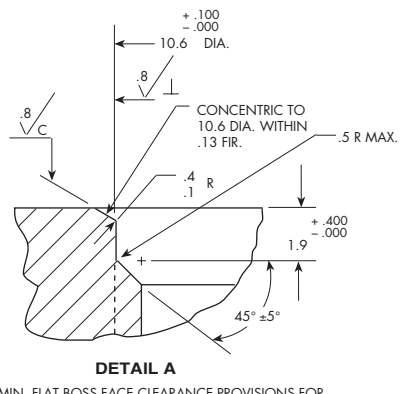


FIG. 2 (e) DETAIL

NOTE: MIN. FLAT BOSS FACE CLEARANCE PROVISIONS FOR FITTING, WRENCH, FITTING INSTALLATION AND TOOL FILLET RADII MUST BE ADDED AS REQUIRED

(F)